

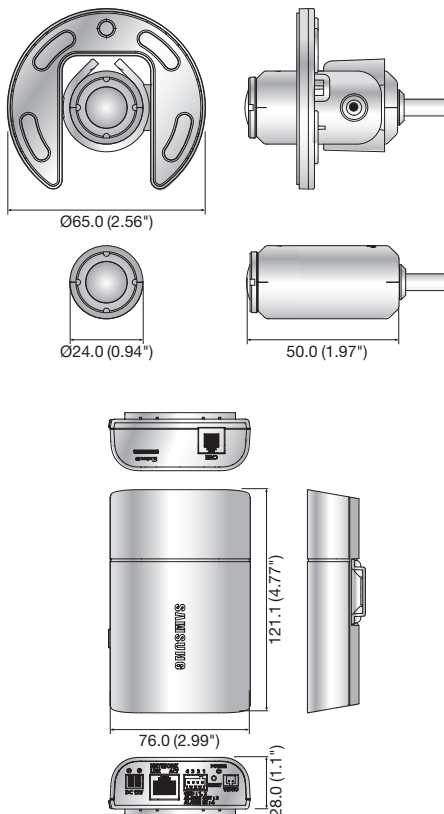


## Key Features

- Max. 2M (1,920 x 1,080) resolution
- H.264, MJPEG dual codec, Multiple streaming
- WDR (120dB), Defog
- Motion detection, Tampering, Virtual line, Enter / Exit, (Dis)Appear
- SD/SDHC/SDXC memory slot
- Multi-crop streaming
- Extremely discreet design
- Available in 2 cable length:
  - SNB-6011: 8 meters
  - SNB-6011-15: 1.5 meters

## Dimensions

Unit : mm (inch)



## SNB-6011

|                                   |   |
|-----------------------------------|---|
| <b>VIDEO</b>                      |   |
| Imaging Device                    | 1/2.8" 2.38M CMOS   |
| Total Pixels                      | 1,952(H) x 1,116(V)   |
| Effective Pixels                  | 1,944(H) x 1,104(V)   |
| Scanning System                   | Progressive   |
| Min. Illumination                 | Color : 0.3Lux (1/30sec, F2.0, 50IRE)   |
| Video Output                      | CVBS : 1.0 Vpp / 75Ω composite, 720 x 480(N), 720 x 576(P), for installation<br>DIP connector type  |
| <b>LENS</b>                       |   |
| Focal length                      | 2.4mm pinhole   |
| Max. Aperture ratio               | F2.0  |
| Angular Field of View             | H : 134.3° / V : 70.9°  |
| Min. Object Distance              | 0.3m (0.98ft)   |
| Mount Type                        | RJ-12 connected with main unit  |
| <b>OPERATIONAL</b>                |   |
| Camera Title                      | Off / On (Displayed up to 45 characters)  |
| Day & Night                       | Auto (Electrical) / Color / B/W / Schedule  |
| Backlight Compensation            | Off / BLC / WDR   |
| Wide Dynamic Range                | 120dB   |
| Contrast Enhancement              | SSDR (Samsung Super Dynamic Range) (Off / On)   |
| Digital Noise Reduction           | SSNRIII (2D+3D noise filter) (Off / On)   |
| Digital Image Stabilization       | Off / On  |
| Defog                             | Off / Auto / Manual   |
| Motion Detection                  | Off / On (4ea 4 points polygonal zones)   |
| Privacy Masking                   | Off / On (32 zones with 4 points of polygonal)  |
| Gain Control                      | Off / Low / Middle / High   |
| White Balance                     | ATW / AWC / Manual / Indoor / Outdoor   |
| Electronic Shutter Speed          | Minimum / Maximum / Anti flicker (2 ~ 1/12,000sec)  |
| Flip / Mirror                     | Off / On  |
| Intelligent Video Analytics       | Tampering, Virtual line, Enter / Exit, (Dis)Appear, Face Detection  |
| Alarm I/O                         | Input 1ea / Output 1ea  |
| Alarm Triggers                    | Motion detection, Tampering detection, Alarm input, Video analytics, Network disconnection  |
| Alarm Events                      | File upload via FTP and E-mail, Notification via E-mail,<br>Local storage (SD/SDHC/SDXC) or NAS recording at Event (Alarm triggers), External output  |
| <b>NETWORK</b>                    |   |
| Ethernet                          | RJ-45 (10/100BASE-T)  |
| Video Compression Format          | H.264 (MPEG-4 part 10/AVC), MJPEG   |
| Resolution                        | 1920 x 1080, 1280 x 1024, 1280 x 960, 1280 x 720, 1024 x 768,<br>800 x 600, 800 x 450, 640 x 480, 640 x 360, 320 x 240, 320 x 180   |
| Max. Framerate                    | H.264 : Max. 30fps at all resolutions<br>MJPEG : 1920 x 1080, 1280 x 1024, 1280 x 960, 1280 x 720, 1024 x 768 : Max. 15fps<br>800 x 600, 800 x 450, 640 x 480, 640 x 360, 320 x 240, 320 x 180 : Max.30fps  |
| Video Quality Adjustment          | H.264 : Compression level, Target bitrate level control, MJPEG : Quality level control  |
| Bitrate Control Method            | H.264 : CBR or VBR, MJPEG : VBR   |
| Streaming Capability              | Multiple streaming (Up to 10 profiles)  |
| IP                                | IPv4, IPv6  |
| Protocol                          | TTCp/IP, UDP/IP, RTP(UDP), RTP(TCP), RTCP, RTSP, NTP, HTTP, HTTPS, SSL, DHCP, PPPoE, FTP, SMTP, ICMP, IGMP, SNMPv1/v2c/v3(MIB-2), ARP, DNS, DDNS, QoS, PIM-SM, UPnP, Bonjour  |
| Security                          | HTTPS(SSL) login authentication, Digest login authentication<br>IP address filtering, User access log, 802.1x authentication  |
| Streaming Method                  | Unicast / Multicast   |
| Max. User Access                  | 15 users at unicast mode  |
| Edge Storage                      | SD/SDHC/SDXC - motion Images recorded in the SD/SDHC/SDXC memory card can be downloaded. NAS (Network Attached Storage)   |
| Application Programming Interface | ONVIF profile S, HTTP API (SUNAPI) 2.0, S/NVP 1.2   |
| Webpage Language                  | English, French, German, Spanish, Italian, Chinese, Korean, Russian, Japanese, Swedish, Danish, Portuguese, Turkish, Polish, Czech, Rumanian, Serbian, Dutch, Croatian, Hungarian, Greek, Finnish, Norwegian  |
| Web Viewer                        | Supported OS : Windows XP / VISTA / 7 / 8 / 8.1, MAC OS X 10.7<br>Supported Browser : Microsoft Internet Explorer (Ver. 11 ~ 8)<br>Mozilla Firefox (Ver. 19 ~9) * Windows only<br>Google Chrome (Ver. 25 ~ 15) * Windows only<br>Apple Safari (Ver. 6.0.2(Mac OS X 10.8, 10.7 only), 5.1.7) * Mac OS X only |
| Central Management Software       | Smart Viewer, SSM   |
| <b>ENVIRONMENTAL</b>              |   |
| Operating Temperature / Humidity  | -10°C ~ +55°C (+14°F ~ +131°F) / Less than 90% RH   |
| Storage Temperature / Humidity    | -30°C ~ +60°C (-22°F ~ +140°F) / Less than 90% RH   |
| <b>ELECTRICAL</b>                 |   |
| Input Voltage / Current           | 12V DC, PoE (IEEE802.3af)   |
| Power Consumption                 | 12V DC : Max. 6.5W, PoE : Max. 7.5W   |
| <b>MECHANICAL</b>                 |   |
| Color / Material                  | Camera unit : Black / Plastic, Main unit : Ivory / Plastic  |
| Dimensions (WxHxD)                | Camera header : Ø24.0 x 50.0mm (Ø0.94" x 1.97"),<br>Main unit : 76.0 x 121.1 x 28.0 (2.99" x 4.77" x 1.1")  |
| Weight                            | Camera header (include cable) : 315g (0.69 lb), Main unit : 290g (0.64 lb)  |

\* Data recorded on an SD memory card may be lost or damaged by data access during power-off, mechanical shock, memory card detachment, or other operations. Data loss or damage can also occur when a memory card reaches end of life, which varies according to operational conditions. No guarantee is given against damage (including passive damage).

\* The latest product information / specification can be found at [www.samsungsecurity.com](http://www.samsungsecurity.com)