

40x Intelligent Zoom Stabilization iA PTZ Camera

Panasonic WV-X6531N captures the highest quality images automatically even in very challenging and fast-changing surveillance environments. Outstanding Intelligent Zoom Stabilization to increase visibility under blur condition.

Intelligent Auto (iA) monitors scene dynamics and motion to adjust key camera settings automatically in real-time reducing distortion such as motion blur on moving objects. Adopting H.265 Smart Coding technology, intelligently reduces bandwidth efficiency of up to 95%* over H.264 for longer recording and less storage. *Value in Advanced mode. It depends on the scene.

Extreme image quality for evidence capturing under challenging conditions

- Long-distance vision with high power 40x zoom lens and Intelligent Zoom Stabilization for pole mounts on roadways
- Sharp and clear image of fast moving vehicles with Intelligent Auto and ClearSight Coating
- Outstanding low light performance in true color with low noise for night time applications
- Super Dynamic 144dB for backlit situation by headlights and shadows on the streets at night
- Environmental durability: IP66, IK10, Long life Pan/Tilt gear mechanism, Wide operating temperature up to 60 °C (140 °F) and electric dehumidifier

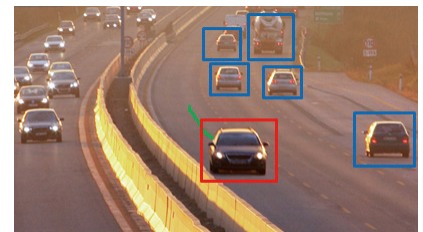
Extreme H.265 compression with new Smart Coding

- Longer recording, less storage compared to H.264 based compression techniques
- New self-learning ROI* encoding (Auto VIQS) dynamically detect motion areas to keep vehicles and human in good picture quality while lowering your bandwidth * Region of Interest

Built-in Vehicle Incident Detection*

- Incident detection: Wrong-way, Stopped vehicle with video analytic technology
- Send alarm to Video Management System and/or Traffic Management System for immediate action
- The function is built-in the camera. No additional server is required.

*Optional software



Wrong-way detection *The photo is for illustrative purposes only

Key Features

- Full-HD 1920x1080 60fps
- Intelligent Zoom Stabilization with 40x optical zoom
- ClearSight Coating
- Durable Pan/Tilt gear mechanism
- iA (intelligent Auto)
- Extreme Super Dynamic 144dB
- Color night vision (0.001 to 0.015 lx)
- IP66, IK10 certified
- Wider operating temperature range
-50 °C to +60 °C (-58 °F to +140 °F)

Applications

- Traffic
- Safe city
- Railway
- Critical infrastructure
- Airport
- Stadium



Specifications

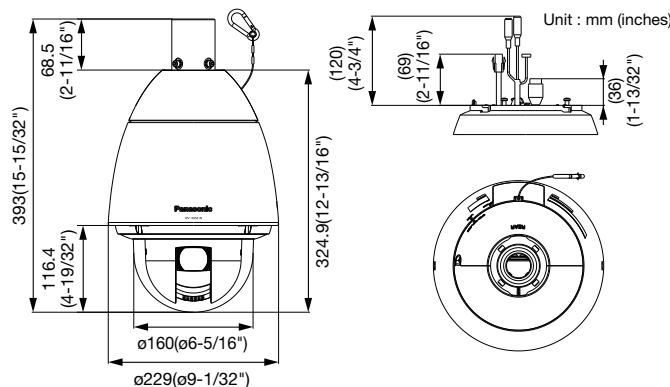
Camera	Image Sensor	Approx. 1/2.8 type MOS image sensor	
	Minimum Illumination	Color : 0.015 lx, BW : 0.006 lx (F1.6, Maximum shutter : Off (1/30s), AGC : 11) Color : 0.001 lx, BW : 0.0004 lx (F1.6, Maximum shutter : Max. 16/30s, AGC : 11) ^{*1}	
	Intelligent Auto	On / Off	
	Shutter Speed	1/30 Fix to 1/10000 Fix *1/30 Fix to 2/120 Fix is available during 30 fps mode only. *1/60 Fix is available during 60 fps mode only.	
	Super Dynamic ^{*2}	On / Off, the level can be set in the range of 0 to 31.	
	Dynamic Range	144 dB (Super Dynamic : On)	
	Image Settings	Gain (AGC), White balance	
	Image Compensation	Adaptive black stretch, Back light compensation (BLC), Fog compensation, High light compensation (HLC), Digital noise reduction	
	Color/BW (ICR)	Off / On / Auto1 (Normal) / Auto2 (IR Light) / Auto3 (SCC)	
	Video Motion Detection (VMD)	On / Off, 4 areas available	
	Intelligent VMD (i-VMD) ^{*3}	Type4 ⁴ *optional plug-in software WV-SAE200	
	Vehicle Incident Detection ^{*3}	Detect "Stopped Vehicle" and "Wrong-way" *optional plug-in software WV-XAE100W	
	Stabilizer ^{*3}	On / Off (available only in the 30 fps mode)	
	Privacy Zone	Filling / Pixelate / Off (up to 32 zones available)	
	Camera Title (OSD)	On / Off Up to 20 characters (alphanumeric characters, marks)	
Lens	Zoom Ratio	40x Optical	
	Digital (electronic) zoom	16x	
	Focal length	4.25 mm – 170 mm (5/32 inches – 6-11/16 inches)	
	Maximum Aperture Ratio	1 : 1.6 (WIDE) – 1 : 4.95 (TELE)	
	Focus range	3.0 m (9 ft 10-1/8 inches) – ∞	
Angular Field of view	Horizontal	[16 : 9 mode] Horizontal : 2.1 ° (TELE) – 65 ° (WIDE)	
	Vertical	: 1.2 ° (TELE) – 39 ° (WIDE)	
	[4 : 3 mode] Horizontal	: 1.6 ° (TELE) – 51 ° (WIDE)	
	Vertical	: 1.2 ° (TELE) – 39 ° (WIDE)	
Pan/tilt	Panning Range	360° Endless panning	
	Panning Speed	Manual : Approx. 0.065°/s – 120°/s Preset : Up to approx. 300°/s	
	Tilting Range	Operational range : -15° – 195° (level – downward – level) Recommended range : 0° – 180° Selectable tilting angle : 10 °/ 5 °/ 3 °/ 0 °/ -3 °/ -5 °/ -10 °/ -15 °/ -4 °	
	Tilting Speed	Manual : Approx. 0.065°/s – 120°/s Preset : Up to approx. 300°/s	
	Preset Positions	256 positions	
	Auto Mode	Auto track ^{*3} / Auto pan/ Preset sequence/ Patrol	
	Self Return	10 s/ 20 s/ 30 s/ 1 min/ 2 min/ 3 min/ 5 min/ 10 min/ 20 min/ 30 min/ 60 min	
	Browser GUI	Camera Control	Pan/Tilt, Zoom, Focus, Auto mode, Brightness, Preset, AUX, Rec. on SD, Log, Viewer software
		Audio	Mic (Line) Input : On / Off Volume adjustment : Low / Middle / High Audio Output : On / Off Volume adjustment : Low / Middle / High
		GUI / Setup Menu Language	English, Italian, French, German, Spanish, Portuguese, Russian, Chinese, Japanese
Network		Network IF	10Base-T / 100Base-TX, RJ45 connector
	Resolution	*2 mega pixel [16 : 9] (30/60 fps) 1920×1080, 1280×720, 640×360, 320×180	
	H.265/ H.264	*3 mega pixel [4 : 3] (30 fps) 2048×1536, 1280×960, 800×600, VGA, 400×300, QVGA	
	JPEG (MJPEG)	*Used by super resolution techniques	
	H.265/ H.264 ^{*5}	Transmission Mode : Constant bit rate / VBR / Frame rate / Best effort Transmission Type : Unicast / Multicast Image Quality : 10 steps	

^{*1} Converted value
^{*2} Super Dynamic function is automatically set off on 60 fps mode.
^{*3} Stabilizer, Auto track, Smart Facial Coding, i-VMD, Vehicle Incident Detection can not be used at the same time.

Network	Smart Coding	Smart Facial Coding ^{*3} : On(Smart Facial Coding)/ On(AUTO VIQS)/ Off * Smart Facial Coding is only available with Stream(1). GOP(Group of pictures) control : On(Advanced)/ On(Low)/ On(Mid)/ Off * On(Advanced) is only available with H.265.	
	Audio Compression	G.726 (ADPCM): 16 kbps / 32 kbps, G.711 : 64 kbps, AAC-LC ^{*6} : 64 kbps / 96 kbps / 128 kbps	
	Audio transmission mode	Off / Mic (Line) input / Audio output / Interactive (Half duplex) / Interactive (Full duplex)	
	Supported Protocol	IPv6: TCP/IP, UDP/IP, HTTP, HTTPS, RTP, FTP, SMTP, DNS, NTP, SNMP, DHCPv6, MLD, ICMP, ARP, IEEE 802.1X, DiffServ IPv4: TCP/IP, UDP/IP, HTTP, HTTPS, RTSP, RTP, RTP/RTCP, FTP, SMTP, DHCP, DNS, DDNS, NTP, SNMP, UPnP, IGMP, ICMP, ARP, IEEE 802.1X, DiffServ	
	Maximum concurrent access number	Up to 14 users (Depends on network conditions)	
	SDXC/SDHC/SD	H.265 / H.264 recording: Manual REC / Alarm REC (Pre/Post) / Schedule REC / Backup upon network failure	
	Memory Card (Option)	JPEG recording: Manual REC / Alarm REC (Pre/Post) / Backup upon network failure Compatible SDXC/SDHC/SD Memory Card: Panasonic 2 GB, 4 GB*, 8 GB*, 16 GB*, 32 GB*, 64 GB**, 128 GB** 256 GB** model *SDHC card, **SDXC card (except miniSD card and microSD card)	
	Mobile Terminal Compatibility	iPad / iPhone, Android™ mobile terminals	
	Alarm	Alarm Source	3 terminals input, VMD alarm ^{*7} , Command alarm, Audio detection alarm, Auto track alarm
		Alarm Actions	SDXC/SDHC/SD memory recording, E-mail notification, HTTP alarm notification, Indication on browser, FTP image transfer, Panasonic protocol output
Input/ Output	Audio Input	ø3.5 mm stereo mini jack (monaural input) Input impedance: Approx. 2 kΩ (unbalanced) (Applicable microphone : Plug-in power type) Supply voltage : 4.0 V ±0.5 V	
	Audio Output ^{*8}	ø3.5 mm stereo mini jack (monaural output) Output impedance : Approx. 600 Ω (unbalanced)	
	External I/O Terminals	ALARM IN 1 (Black & white input, Auto time adjustment input) (x1), ALARM IN 2 (ALARM OUT) (x1), ALARM IN 3 (AUX OUT) (x1)	
General	Power Source and Power Consumption	AC24 V 3.4 A, Approx. 55 W PoE+ (IEEE802.3at compliant): DC 54V 470 mA, Approx. 25 W Tested PoE Injector (60 W) : DC 54V 1.0 A, Approx. 50 W	
	Ambient Operating Temperature	-50 °C to +60 °C (-58 °F to +140 °F) (AC 24 V / Tested PoE injector (60 W)) -30 °C to +60 °C (-22 °F to +140 °F) (PoE+ device) {Power On range: -30 °C to +60 °C (-22 °F to +140 °F)}	
	Ambient Operating Humidity	10 to 100 % (no condensation)	
	Water and Dust Resistance	IP66 (IEC60529), Type 4X (UL50), NEMA 4X compliant	
	Shock Resistance	IK10 (IEC62262)	
	Dimensions	Maximum ø229 mm × 393 (H) mm (ø9-1/32 inches × 15-15/32 inches (H))	
	Mass (approx.)	Approx. 5.2 kg (11.47 lbs)	
	Finish	Main body : Aluminum die cast, Natural silver Sunshields : ABS+PC resin coating, Natural silver Outer fixing screws : SUS (Corrosion-resistant treatment) Dome cover : Polycarbonate resin (with ClearSight coating (rain wash coating)), Clear	




^{*4} If "0 °", "-3 °", "-5 °", "-10 °", or "-15 °" is selected, the area hidden by the camera housing may increase when the tilt angle of the camera is almost level. When "-15 °" is selected for "Tilt Angle", the upper half of images will be hidden.
^{*5} Transmission for 4 streams can be individually set.
^{*6} Only use AAC-LC (Advanced Audio Coding - Low Complexity) when recording audio on an SD memory card.
^{*7} Including alarms from Plug-in Software
^{*8} The audio output can be switched to the monitor output. Refer to the Operating Instructions on the provided CD-ROM for descriptions of how to switch the output.

Appearance



Trademarks and registered trademarks
– iPad and iPhone are registered trademarks of Apple Inc.
– Android is a trademark of Google Inc.
– ONVIF and the ONVIF logo are trademarks or registered trademarks of ONVIF Inc.
– All other trademarks identified herein are the property of their respective owners.

Optional Accessories

Ceiling Mount Bracket WV-Q121B 	Wall Mount Bracket WV-Q122A 	Plug-in Software for i-VMD WV-SAE200 i-VMD is possible to detect objects in the specified area by advanced video analysis technology. i-VMD : Intruder Detection, Loitering Detection, Direction Detection, Scene Change Detection, Object Detection, Cross Line Detection
Plug-in Software for Vehicle Incident Detection WV-XAE100W Camera detects vehicle incidents on the road with video analytics technology.		
Target Incident Number of Lanes Detection scene	Wrong-way / Stopped vehicle Max. 4 lanes Max. 256 preset positions	

Important
– Safety Precaution : Carefully read the Important Information, Installation Guide and operating instructions before using this product.
– Panasonic cannot be responsible for the performance of the network and/or other manufacturers' products used on the network.
• Masses and dimensions are approximate. • Specifications are subject to change without notice.

DISTRIBUTED BY :

Panasonic

<http://security.panasonic.com>
<http://www.facebook.com/PanasonicNetworkCamera>